
STANDARD CLEANING GAS RANGE

Use & Care Guide

For questions about features, operation/performance, parts, accessories or service,
call: **1-800-253-1301** or visit our brand websites at ...

www.whirlpool.com
www.estateappliances.com
www.magicchef.com
www.roperappliances.com
www.amana.com

ESTUFA A GAS DE LIMPIEZA ESTÁNDAR

Manual de uso y cuidado

Para consultas respecto de características, funcionamiento, rendimiento, piezas, accesorios o servicio
técnico llame al: **1-800-253-1301** o visite nuestro sitio web en:

www.whirlpool.com
www.estateappliances.com
www.magicchef.com
www.roperappliances.com
www.amana.com

Table of Contents/Índice	2
--------------------------------	---

To the installer: Please leave this instruction book with the unit.

To the consumer: Please read and keep this book for future reference.

Para el instalador: Favor de dejar este manual de instrucciones con la unidad.

Para el consumidor: Favor de leer y guardar este manual para futuras referencias.

TABLE OF CONTENTS

RANGE SAFETY	3
The Anti-Tip Bracket	4
PARTS AND FEATURES	5
COOKTOP USE	6
Cooktop/Oven Temperature Controls	6
Surface Burners	6
Home Canning	7
Cookware	7
OVEN USE	8
Aluminum Foil	8
Positioning Racks and Bakeware	8
Bakeware	8
Oven Vent	8
Baking and Roasting	9
Broiling	9
RANGE CARE	10
Removing the Oven Bottom	10
General Cleaning	10
Oven Door	11
TROUBLESHOOTING	12
ASSISTANCE OR SERVICE	13
WARRANTY	14

ÍNDICE

SEGURIDAD DE LA ESTUFA	15
El soporte antivuelco	16
PIEZAS Y CARACTERÍSTICAS	18
USO DE LA SUPERFICIE DE COCCIÓN	19
Controles de temperatura de la superficie de cocción y del horno	19
Quemadores de superficie	19
Enlatado casero	20
Utensilios de cocina	20
USO DEL HORNO	21
Papel de aluminio	21
Posición de las parrillas y los utensilios para hornear	21
Utensilios para hornear	21
Ducto de escape del horno	22
Cómo hornear y asar	22
Cómo asar a la parrilla	22
CUIDADO DE LA ESTUFA	23
Cómo quitar el fondo del horno	23
Limpieza general	23
Puerta del horno	24
SOLUCIÓN DE PROBLEMAS	25
AYUDA O SERVICIO TÉCNICO	27
GARANTÍA	27

RANGE SAFETY

Your safety and the safety of others are very important.

We have provided many important safety messages in this manual and on your appliance. Always read and obey all safety messages.



This is the safety alert symbol.

This symbol alerts you to potential hazards that can kill or hurt you and others.

All safety messages will follow the safety alert symbol and either the word "DANGER" or "WARNING."

These words mean:

⚠ DANGER

You can be killed or seriously injured if you don't immediately follow instructions.

⚠ WARNING

You can be killed or seriously injured if you don't follow instructions.

All safety messages will tell you what the potential hazard is, tell you how to reduce the chance of injury, and tell you what can happen if the instructions are not followed.

WARNING: If the information in this manual is not followed exactly, a fire or explosion may result causing property damage, personal injury or death.

- Do not store or use gasoline or other flammable vapors and liquids in the vicinity of this or any other appliance.
- **WHAT TO DO IF YOU SMELL GAS:**
 - Do not try to light any appliance.
 - Do not touch any electrical switch.
 - Do not use any phone in your building.
 - Immediately call your gas supplier from a neighbor's phone. Follow the gas supplier's instructions.
 - If you cannot reach your gas supplier, call the fire department.
- Installation and service must be performed by a qualified installer, service agency or the gas supplier.

WARNING: Gas leaks cannot always be detected by smell.

Gas suppliers recommend that you use a gas detector approved by UL or CSA.

For more information, contact your gas supplier.

If a gas leak is detected, follow the "What to do if you smell gas" instructions.

State of California Proposition 65 Warnings:

WARNING: This product contains a chemical known to the State of California to cause cancer.

WARNING: This product contains a chemical known to the State of California to cause birth defects or other reproductive harm.

The Anti-Tip Bracket

The range will not tip during normal use. However, the range can tip if you apply too much force or weight to the open door without the anti-tip bracket fastened down properly.



⚠ WARNING

Tip Over Hazard

A child or adult can tip the range and be killed.

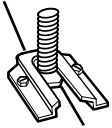
Connect anti-tip bracket to rear range foot.

Reconnect the anti-tip bracket, if the range is moved.

See the installation instructions for details.

Failure to follow these instructions can result in death or serious burns to children and adults.

Anti-Tip Bracket



Range Foot

Making sure the anti-tip bracket is installed:

- Slide range forward.
- Look for the anti-tip bracket securely attached to floor.
- Slide range back so rear range foot is under anti-tip bracket.

IMPORTANT SAFETY INSTRUCTIONS

WARNING: To reduce the risk of fire, electrical shock, injury to persons, or damage when using the range, follow basic precautions, including the following:

- **WARNING:** TO REDUCE THE RISK OF TIPPING OF THE RANGE, THE RANGE MUST BE SECURED BY PROPERLY INSTALLED ANTI-TIP DEVICES. TO CHECK IF THE DEVICES ARE INSTALLED PROPERLY, SLIDE RANGE FORWARD, LOOK FOR ANTI-TIP BRACKET SECURELY ATTACHED TO FLOOR, AND SLIDE RANGE BACK SO REAR RANGE FOOT IS UNDER ANTI-TIP BRACKET.
- **WARNING:** NEVER use this appliance as a space heater to heat or warm the room. Doing so may result in carbon monoxide poisoning and overheating of the oven.
- **WARNING:** NEVER cover any slots, holes or passages in the oven bottom or cover an entire rack with materials such as aluminum foil. Doing so blocks air flow through the oven and may cause carbon monoxide poisoning. Aluminum foil linings may also trap heat, causing a fire hazard.
- **CAUTION:** Do not store items of interest to children in cabinets above a range or on the backguard of a range – children climbing on the range to reach items could be seriously injured.

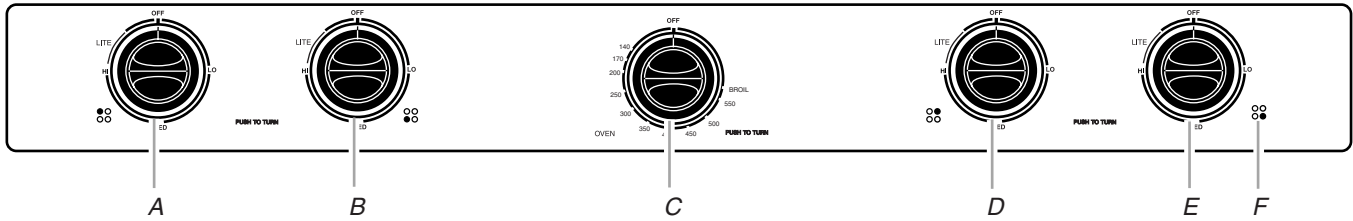
- Proper Installation – The range, when installed, must be electrically grounded in accordance with local codes or, in the absence of local codes, with the *National Electrical Code, ANSI/NFPA 70*. Be sure the range is properly installed and grounded by a qualified technician.
 - This range is equipped with a three-prong grounding plug for your protection against shock hazard and should be plugged directly into a properly grounded receptacle. Do not cut or remove the grounding prong from this plug.
 - Disconnect power before servicing.
 - Injuries may result from the misuse of appliance doors or drawers such as stepping, leaning, or sitting on the doors or drawers.
 - Maintenance – Keep range area clear and free from combustible materials, gasoline, and other flammable vapors and liquids.
 - Storage in or on the Range – Flammable materials should not be stored in an oven or near surface units.
 - Top burner flame size should be adjusted so it does not extend beyond the edge of the cooking utensil.
- For self-cleaning ranges –**
- Before Self-Cleaning the Oven – Remove broiler pan and other utensils. Wipe off all excessive spillage before initiating the cleaning cycle.

SAVE THESE INSTRUCTIONS

PARTS AND FEATURES

This manual covers several different models. The range you have purchased may have some or all of the parts and features listed. The locations and appearances of the features shown here may not match those of your model.

Control Panel

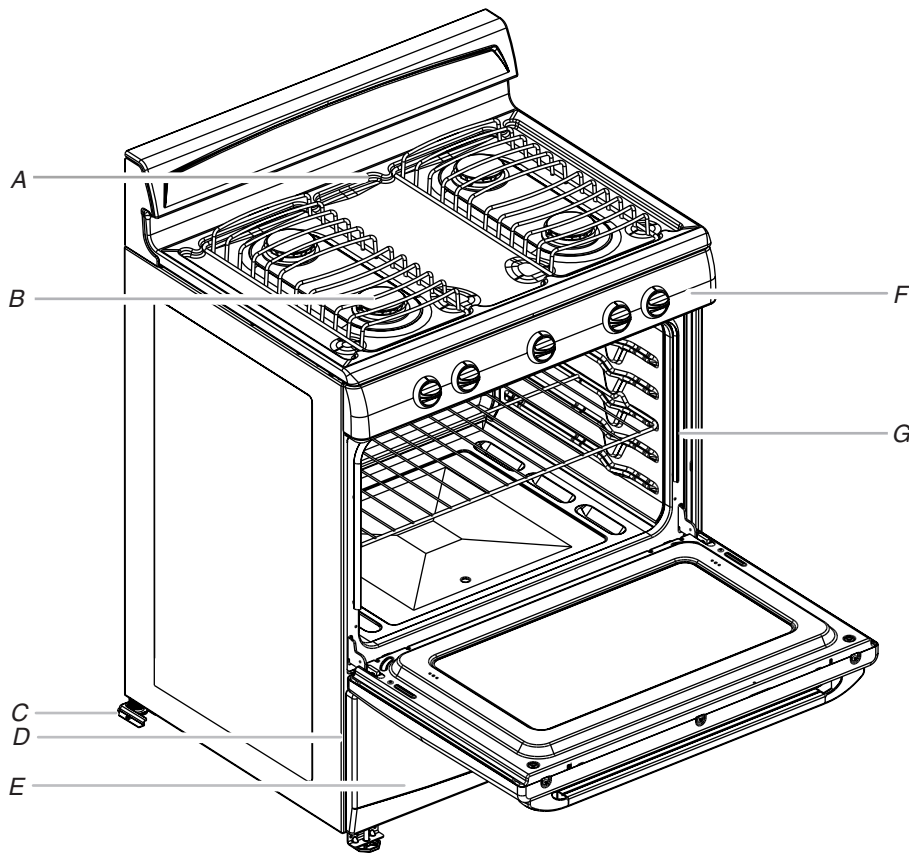


A. Left rear burner control
B. Left front burner control

C. Oven temperature control knob
D. Right rear burner control

E. Right front burner control
F. Surface burner locator

Range



A. Oven vent
B. Surface burners and grates
C. Anti-tip bracket

D. Model and serial number plate
(behind left side of broiler door)
E. Broiler door

F. Control panel
G. Door gasket

COOKTOP USE

Cooktop/Oven Temperature Controls

⚠ WARNING



Fire Hazard

Do not let the burner flame extend beyond the edge of the pan.

Turn off all controls when not cooking.

Failure to follow these instructions can result in death or fire.

Electric igniters automatically light the surface burners when control knobs are turned to LITE.

Before setting a control knob, place filled cookware on the grate. Do not operate a burner using empty cookware or without cookware on the grate.

To Set Burner Temperature:

1. Push in and turn knob counterclockwise to LITE.
All four surface burners will click. Only the burner with the control knob turned to LITE will produce a flame.
2. Turn knob to anywhere between HI and LO. The clicking will stop. Use the following chart as a guide when setting heat levels.

SETTING	RECOMMENDED USE
LITE	<ul style="list-style-type: none"> Light the burner.
HI	<ul style="list-style-type: none"> Start food cooking. Bring liquid to a boil.
MED (Medium)	<ul style="list-style-type: none"> Hold a rapid boil. Quickly brown or sear food. Fry or sauté foods. Cook soups, sauces and gravies. Stew or steam foods.
LO	<ul style="list-style-type: none"> Keep food warm. Simmer.

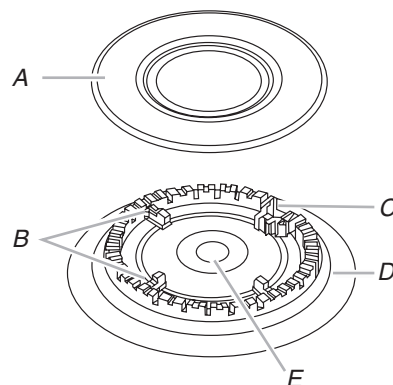
To Set Oven Temperature:

Push in and turn oven control knob to desired temperature setting.

Power failure

In case of prolonged power failure, the surface burners can be lit manually. Hold a lit match near a burner and turn knob counterclockwise to LITE. After burner lights, turn knob to setting.

Surface Burners

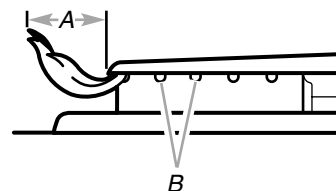


- A. Burner cap (underside)
- B. Alignment pins
- C. Igniter
- D. Burner base
- E. Gas tube opening

IMPORTANT: Do not obstruct the flow of combustion and ventilation air around the burner grate edges.

Burner cap: Always keep the burner cap in place when using a surface burner. A clean burner cap will help avoid poor ignition and uneven flames. Always clean the burner cap after a spillover and routinely remove and clean the caps and bases according to the “General Cleaning” section.

Gas tube opening: Gas must flow freely throughout the gas tube opening for the burner to light properly. Keep this area free of soil and do not allow spills, food, cleaning agents or any other material to enter the gas tube opening. Keep spillovers out of the gas tube by always using a burner cap.



- A. 1-1½" (25-38 mm)
- B. Burner ports

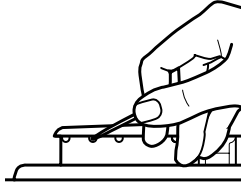
Burner ports: Check burner flames occasionally for proper size and shape as shown above. A good flame is blue in color, not yellow. Keep this area free of soil and do not allow spills, food, cleaning agents or any other material to enter the burner ports.

To Clean:

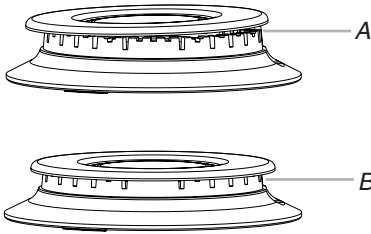
IMPORTANT: Before cleaning, make sure all controls are off and the oven and cooktop are cool. Do not use oven cleaners, bleach or rust removers.

1. Remove the surface burner grates.
2. Remove burner cap from the burner base and clean according to “General Cleaning” section.
3. Clean the gas tube opening with a damp cloth.

- Clean clogged burner ports with a straight pin as shown. Do not enlarge or distort the port. Do not use a wooden toothpick. If the burner needs to be adjusted, contact a trained repair specialist.



- Replace the burner cap onto the burner base, making sure the alignment pins are properly aligned with the burner cap.



A. Incorrect
B. Correct

- Replace surface burner grates.
- Turn on the burner. If the burner does not light, check cap alignment. If the burner still does not light, do not service the burner yourself. Contact a trained repair specialist.

Home Canning

When canning for long periods, alternate the use of surface burners between batches. This allows time for the most recently used areas to cool.

- Center the canner on the grate.
- Do not place canner on 2 surface burners at the same time.
- For more information, contact your local agricultural department. Companies that manufacture home canning products can also offer assistance.

Cookware

IMPORTANT: Do not leave empty cookware on a hot surface cooking area, element or surface burner.

Ideal cookware should have a flat bottom, straight sides and a well-fitting lid, and the material should be of medium-to-heavy thickness.

Rough finishes may scratch the cooktop or grates. Aluminum and copper may be used as a core or base in cookware. However, when used as a base they can leave permanent marks on the cooktop or grates.

Cookware material is a factor in how quickly and evenly heat is transferred, which affects cooking results. A nonstick finish has the same characteristics as its base material. For example, aluminum cookware with a nonstick finish will take on the properties of aluminum.

Cookware with nonstick surfaces should not be used under the broiler.

Use the following chart as a guide for cookware material characteristics.

COOKWARE	CHARACTERISTICS
Aluminum	<ul style="list-style-type: none"> Heats quickly and evenly. Suitable for all types of cooking. Medium or heavy thickness is best for most cooking tasks.
Cast iron	<ul style="list-style-type: none"> Heats slowly and evenly. Good for browning and frying. Maintains heat for slow cooking.
Ceramic or Ceramic glass	<ul style="list-style-type: none"> Follow manufacturer's instructions. Heats slowly, but unevenly. Ideal results on low to medium heat settings.
Copper	<ul style="list-style-type: none"> Heats very quickly and evenly.
Earthenware	<ul style="list-style-type: none"> Follow manufacturer's instructions. Use on low heat settings.
Porcelain enamel-on-steel or cast iron	<ul style="list-style-type: none"> See stainless steel or cast iron.
Stainless steel	<ul style="list-style-type: none"> Heats quickly, but unevenly. A core or base of aluminum or copper on stainless steel provides even heating.

OVEN USE

Odors and smoke are normal when the oven is used the first few times, or when it is heavily soiled.

IMPORTANT: The health of some birds is extremely sensitive to the fumes given off. Exposure to the fumes may result in death to certain birds. Always move birds to another closed and well-ventilated room.

Aluminum Foil

IMPORTANT: To avoid permanent damage to the oven bottom finish, do not line the oven bottom with any type of foil or liner.

- On those models with bottom vents, do not block or cover the oven bottom vents.
- For best cooking results, do not cover entire rack with foil because air must be able to move freely.
- To catch spills, place foil on rack below dish. Make sure foil is at least ½" (1.3 cm) larger than the dish and that it is turned up at the edges.

Positioning Racks and Bakeware

IMPORTANT: To avoid permanent damage to the porcelain finish, do not place food or bakeware directly on the oven door or bottom.

RACKS

- Position racks before turning on the oven.
- Do not move racks with bakeware on them.
- Make sure racks are level.

For best performance, cook on one rack. Place the rack so the top of food will be centered in the oven. To move a rack, pull it out to the stop position, raise the front edge, then lift out.

FOOD	RACK POSITION
Large roasts, turkeys, angel food, bundt and tube cakes, quick breads, pies	1 or 2
Yeast breads, casseroles, meat and poultry	2
Cookies, biscuits, muffins, cakes	2 or 3

BAKEWARE

To cook food evenly, hot air must be able to circulate. Allow 2" (5 cm) of space around bakeware and oven walls. Use the following chart as a guide.

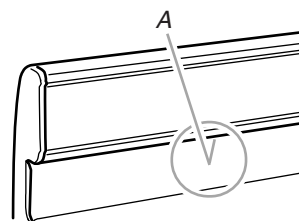
NUMBER OF PAN(S)	POSITION ON RACK
1	Center of rack.
2	Side by side or slightly staggered.
3 or 4	Opposite corners on each rack. Make sure that no bakeware piece is directly over another.

Bakeware

The bakeware material affects cooking results. Follow manufacturer's recommendations and use the bakeware size recommended in the recipe. Use the following chart as a guide.

BAKEWARE/ RESULTS	RECOMMENDATIONS
Light colored aluminum <ul style="list-style-type: none"> ■ Light golden crusts ■ Even browning 	<ul style="list-style-type: none"> ■ Use temperature and time recommended in recipe.
Dark aluminum and other bakeware with dark, dull and/or nonstick finish <ul style="list-style-type: none"> ■ Brown, crisp crusts 	<ul style="list-style-type: none"> ■ May need to reduce baking temperatures slightly. ■ Use suggested baking time. ■ For pies, breads and casseroles, use temperature recommended in recipe. ■ Place rack in center of oven.
Insulated cookie sheets or baking pans <ul style="list-style-type: none"> ■ Little or no bottom browning 	<ul style="list-style-type: none"> ■ Place in the bottom third of oven. ■ May need to increase baking time.
Stainless steel <ul style="list-style-type: none"> ■ Light, golden crusts ■ Uneven browning 	<ul style="list-style-type: none"> ■ May need to increase baking time.
Stoneware/Baking stone <ul style="list-style-type: none"> ■ Crisp crusts 	<ul style="list-style-type: none"> ■ Follow manufacturer's instructions.
Ovenproof glassware, ceramic glass or ceramic <ul style="list-style-type: none"> ■ Brown, crisp crusts 	<ul style="list-style-type: none"> ■ May need to reduce baking temperatures slightly.

Oven Vent



A. Oven vent

The oven vent releases hot air and moisture from the oven, and should not be blocked or covered. Blocking or covering the oven vent will cause poor air circulation, affecting cooking and cleaning results. Do not set plastics, paper or other items that could melt or burn near the oven vent.

Baking and Roasting

IMPORTANT: To avoid damage to the interior finish, do not place food or cookware directly on the oven door or the oven bottom.

Before baking and roasting, position the racks according to the "Positioning Racks and Bakeware" section. When roasting, it is not necessary to wait for the oven to preheat before putting food in, unless recommended in the recipe.

To Bake or Roast:

1. Push in and turn the oven control knob to the desired temperature setting.
2. Place food in oven.
The oven burner will cycle on and off to keep the oven temperature at the setting.
3. Check food for doneness at minimum time in recipe. Cook longer if necessary.
4. Push in and turn oven control knob to OFF when finished.

Broiling

BROILER

The broiler is located below the oven door. The broiler pan and grid slide out for easy access. Always broil with the broiler and oven doors closed.

- To avoid damage to the broiler, do not step on or apply weight to the broiler door while it is open.
- Do not preheat broiler before use. Completely close broiler door during broiling.
- It is possible to broil longer cooking foods such as chicken pieces at a lower temperature to avoid overbrowning. Turn the knob to 400°F or 450°F, rather than Broil, for low temperature broiling.
- Do not use broiler cavity for storage.
- Use only the broiler pan and grid provided with the range. It is designed to drain juices and help avert spatter and smoke.
- For proper draining, do not cover the grid with foil. The bottom of the pan may be lined with aluminum foil for easier cleaning.
- Trim excess fat to reduce spattering. Slit the remaining fat on the edges to avert curling.
- Pull out oven rack to stop position before turning or removing food. Use tongs to turn food to avoid the loss of juices. Very thin cuts of fish, poultry or meat may not need to be turned.
- After broiling, remove the pan from the oven when removing the food. Drippings will bake on the pan if left in the heated oven, making cleaning more difficult.

To Broil:

1. Open the broiler door and take out the broiler pan and grid.
2. Place food on the grid so grease can drain down into the lower part of the broiler pan.
3. Place the pan on the broiler rack and close the broiler door.
4. Push in and turn the oven control knob to broiler position. The temperature can be lowered at any time during the broiling by turning the oven control knob to the desired temperature.
5. Push in and turn oven control knob to OFF position when finished.

BROILING CHART

For best results, place food 3" (7.0 cm) or more from the broil element. Times are guidelines only and may need to be adjusted for individual foods and tastes.

FOOD	COOK TIME (in minutes)	
	SIDE 1	SIDE 2
Chicken bone-in pieces, boneless breasts	15-17 11-13	15-17 11-13
Fish Fillets ½-¾" (1.25-1.8 cm) thick	7-8	3-4
Frankfurters	5-6	2-3
Ground meat patties* ¾" (1.8 cm) thick, well-done*	11-13	6-7
Ham slice, precooked ½" (1.25 cm) thick	6-8	3-4
Lamb chops 1" (2.5 cm) thick	14-17	8-9
Pork chops 1" (2.5 cm) thick	19-21	9-10
Steak 1" (2.5 cm) thick, medium rare, medium well-done	10-12 12-14 16-17	5-6 6-7 8-9

*Place up to 12 patties, equally spaced, on broiler grid.

RANGE CARE

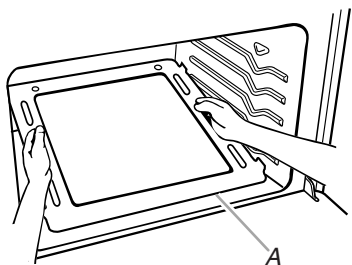
Removing the Oven Bottom

The oven bottom can be removed for standard cleaning of the oven.

Before cleaning, make sure the oven is completely cool.

To Remove:

1. Remove the oven racks.
2. Place fingers in the slots in the bottom panel.



A. Lip

3. Lift the rear of the panel up and back.
The lip at the front of the panel should clear the front frame of the oven cavity.
4. Lift the bottom up and out.

To Replace:

Reverse the steps above.

General Cleaning

IMPORTANT: Before cleaning, make sure all controls are off and the oven and cooktop are cool. Always follow label instructions on cleaning products. Do not wipe down any of the inside surfaces until the oven has completely cooled down. To avoid breaking the glass, do not apply a cool damp cloth to the inner door glass before it has completely cooled.

Soap, water and a soft cloth or sponge are suggested first unless otherwise noted.

EXTERIOR PORCELAIN ENAMEL SURFACES (on some models)

Food spills containing acids, such as vinegar and tomato, should be cleaned as soon as the entire range is cool. These spills may affect the finish.

Cleaning Method:

- Glass cleaner, mild liquid cleaner or nonabrasive scrubbing pad:
Gently clean around the model and serial number plate because scrubbing may remove numbers.
- All-Purpose Appliance Cleaner Part Number 31682 (not included):
See "Assistance or Service" section to order.

COOKTOP CONTROLS

To avoid damage to the cooktop controls, do not use steel wool, abrasive cleansers or oven cleaner.

To avoid damage, do not soak knobs.

When replacing knobs, make sure knobs are in the Off position.

On some models, do not remove seals under knobs.

Cleaning Method:

- Soap and water:
Pull knobs straight away from control panel to remove.
-

CONTROL PANEL

To avoid damage to the control panel, do not use abrasive cleaners, steel-wool pads, gritty washcloths or abrasive paper towels.

Cleaning Method:

- Glass cleaner and soft cloth or sponge:
Apply glass cleaner to soft cloth or sponge, not directly on panel.
 - All-Purpose Appliance Cleaner Part Number 31682 (not included):
See "Assistance or Service" section to order.
-

PORCELAIN-COATED GRATES AND CAPS

Food spills containing acids, such as vinegar and tomato, should be cleaned as soon as the cooktop, grates and caps are cool. These spills may affect the finish.

To avoid chipping, do not bang grates and caps against each other or hard surfaces such as cast iron cookware.

Do not reassemble caps on burners while they are wet.

Cleaning Method:

- Nonabrasive plastic scrubbing pad and mildly abrasive cleanser:
Clean as soon as cooktop, grates and caps are cool.
 - Dishwasher (grates only, not caps):
Use the most aggressive cycle. Cooked-on soils should be soaked or scrubbed before going into a dishwasher.
 - Gas Grate and Drip Pan Cleaner Part Number 31617:
See "Assistance or Service" section to order.
-

SURFACE BURNERS

See "Surface Burners" section.

OVEN DOOR EXTERIOR

Cleaning Method:

- Glass cleaner and a soft cloth or sponge:
Apply glass cleaner to soft cloth or sponge, not directly on panel.
- All-Purpose Appliance Cleaner Part Number 31682 (not included):
See "Assistance or Service" section to order.

OVEN CAVITY

Food spills should be cleaned when oven cools. At high temperatures, foods react with porcelain and staining, etching, pitting or faint white spots can result.

On some models, the oven door can be removed. See "Oven Door" first.

Cleaning Method:

- Steel-wool pad
- Oven cleaner: Follow product label instructions.

OVEN RACKS AND ROASTING RACKS

Cleaning Method:

- Steel-wool pad

BROILER PAN AND GRID (on some models)

Cleaning Method:

Wash in warm soapy water. (It is not recommended to wash the chrome grid in a dishwasher.)

A mild abrasive cleaner and a plastic scrubber can be used to remove stubborn stains.

For heavily soiled bowls, place an ammonia soaked paper towel on the stains and allow to soak for a short time, then gently scrub with a plastic scrubber.

Porcelain enamel only

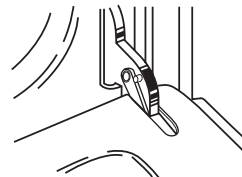
- Warm soapy water or dishwasher
- Oven cleaner: Follow product label instructions.

Oven Door

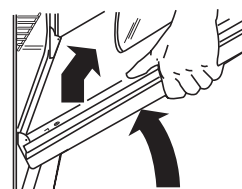
For normal range use, it is not suggested to remove the oven door. However, if removal is necessary, make sure the oven is off and cool. Then, follow these instructions. The oven door is heavy.

To Remove:

1. Open the oven door. Insert hinge pins, included with your range, into both hinge hangers. Do not remove the pins while the door is removed from the range.



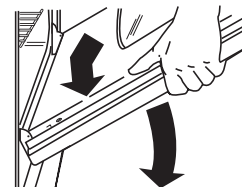
2. Grasp the door on the sides with your fingers on the front of the door and your thumbs on the inside surface.



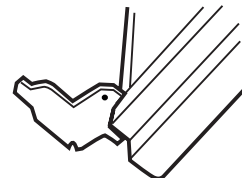
3. Pull door straight up, then toward you. Do not remove hinge pins until the door is replaced on the range.

To Replace:

1. Grasp the door on the sides with your fingers on the front of the door and your thumbs on the inside surface.



2. Hold oven door so that the top edge of each door slot is horizontal. Insert door hinge into the hinge slots.
3. Tilt top of door toward range. Insert bottom door hinge notch down onto front frame edge.



4. Open the door completely and remove the hinge pins. Save hinge pins for future use.
5. Close the door slowly to assure door side panel clearance and proper hinge engagement.

TROUBLESHOOTING

Try the solutions suggested here first in order to avoid the cost of an unnecessary service call.

Nothing will operate

⚠ WARNING



Electrical Shock Hazard

Plug into a grounded 3 prong outlet.

Do not remove ground prong.

Do not use an adapter.

Do not use an extension cord.

Failure to follow these instructions can result in death, fire, or electrical shock.

- **Is the power outlet properly wired and polarized?**
Try another outlet to check for proper wiring and polarity.
- **Is the power supply cord unplugged?**
Plug into a properly grounded 3 prong outlet.
- **Has a household fuse blown, or has a circuit breaker tripped?**
Replace the fuse or reset the circuit breaker. If the problem continues, call an electrician.
- **Is the main or regulator gas shutoff valve in the off position?**
See Installation Instructions.
- **Is the range properly connected to the gas supply?**
Contact a trained repair specialist or see Installation Instructions.

Surface burners will not operate

- **Is this the first time the surface burners have been used?**
Turn on any one of the surface burner knobs to release air from the gas lines.
- **Is the control knob set correctly?**
Push in knob before turning to a setting.
- **Are the burner ports clogged?**
See "Surface Burners" section.

Surface burner flames are uneven, yellow and/or noisy

- **Are the burner ports clogged?**
See "Surface Burners" section.
- **Are the burner caps positioned properly?**
See "Surface Burners" section.
- **Is the air/gas mixture correct?**
Contact a designated service technician to check the air/gas mixture, or see the Installation Instructions.
- **Is propane gas being used?**
The range may have been converted improperly. Contact a trained repair specialist.

Surface burner makes popping noises

- **Is the burner wet?**
Let it dry.

Gas range noises during Bake and Broil operations

Noises that may be heard during the Bake and Broil operations: Whooshing, Poof, Clicking, Snaps, Pop

These sounds are normal operational noises that can be heard each time the Bake or Broil burners ignite during the cycle.

- A pop can be heard when the gas valve is opening or cycling on and will make a single pop when it snaps open from the solenoid. It sounds similar to a suction cup being pulled off of a piece of glass.
- The igniters will click several times until the flame is detected. These are short clicking sounds like tapping a nail onto a piece of glass.
- A whooshing or poof sound is heard when the Bake or Broil burner ignites.
- On some models, a clicking sound can be heard when the convection fan relay cycles on and off.

Cookware not level on cooktop

- **Is the range level?**
Level the range. See the Installation Instructions.
- **Is the proper cookware being used?**
Use cookware with a flat bottom. See "Cookware" section.

Excessive heat around cookware on cooktop

- **Is the cookware the proper size?**
Use cookware about the same size as the surface cooking area, element or surface burner. Cookware should not extend more than 1/2" (1.3 cm) outside the cooking area.

Oven will not operate

- **Is the power outlet properly wired and polarized?**
Try another outlet to check for proper wiring and polarity.
- **Is this the first time the oven has been used?**
Turn any one of the surface burner knobs on to release air from the gas lines.
- **Is the oven temperature control knob set correctly?**
See "Cooktop/Oven Temperature Controls" section.
- **Is the main or regulator gas shutoff in the off position?**
Contact a designated service technician or see the Installation Instructions.

Oven makes muffled ticking noise when in use

- This is normal and occurs when the oven burner cycles on and off to hold the set oven temperature.

Oven burner flames are uneven, yellow and/or noisy

- **Is propane gas being used?**
The range may have been converted improperly. Contact a trained repair specialist.
- **Is the air/gas mixture correct?**
Contact a designated service technician to check the air/gas mixture or see the Installation Instructions.

Cooktop cooking results not what expected

- **Is the proper cookware being used?**
See “Cookware” section.
- **Is the control knob set to the proper heat level?**
See “Cooktop/Oven Temperature Controls” section.

Baking results not what expected

- **Was the oven preheated?**
Wait for oven to preheat before placing food in oven.
- **Are the racks positioned properly?**
See “Positioning Racks and Bakeware” section.
- **Is there proper air circulation around bakeware?**
See “Positioning Racks and Bakeware” section.
- **Is the batter evenly distributed in the pan?**
Check that batter is level in the pan.

- **Is the range level?**
Level the range. See the Installation Instructions.
- **Are baked items too brown on the bottom?**
Decrease oven temperature 10°F to 30°F (5°C to 15°C).
- **Are crust edges browning early?**
Use aluminum foil to cover the edge of the crust and/or reduce baking temperature.

Slow baking or roasting

- **Was the oven preheated?**
Wait for oven to preheat before placing food in oven.
- **Is there proper air circulation around bakeware?**
See “Positioning Racks and Bakeware” section.
- **Is the proper length of time being used?**
Increase baking or roasting time.
- **Is the proper temperature set?**
Increase temperature 25°F (15°C).
- **Has the oven door been opened while cooking?**
Peeking into the oven while cooking releases oven heat and can result in longer cooking times.

Broiler burner fails to light

- **Is the ignition system broken?**
Contact a designated service technician to replace it.
- **Has a household fuse blown, or has a circuit breaker tripped?**
Replace the fuse or reset the circuit breaker. If the problem continues, call an electrician.

ASSISTANCE OR SERVICE

Before calling for assistance or service, please check “Troubleshooting.” It may save you the cost of a service call. If you still need help, follow the instructions below.

When calling, please know the purchase date and the complete model and serial number of your appliance. This information will help us to better respond to your request.

If you need replacement parts

If you need to order replacement parts, we recommend that you use only factory-authorized replacement parts. These replacement parts will fit right and work right because they are made with the same precision used to build every new appliance.

To locate factory-authorized replacement parts in your area, call our Customer eXperience Center or your nearest designated service center.

In the U.S.A.

Call the Customer eXperience Center toll free: **1-800-253-1301**.

Our consultants provide assistance with:

- Features and specifications on our full line of appliances.
- Installation information.
- Use and maintenance procedures.
- Accessory and repair parts sales.
- Specialized customer assistance (Spanish speaking, hearing impaired, limited vision, etc.).
- Referrals to local dealers, repair parts distributors, and service companies. Our service technicians are trained to fulfill the product warranty and provide after-warranty service, anywhere in the United States.

To locate the authorized service company in your area, you can also look in your telephone directory Yellow Pages.

For further assistance

If you need further assistance, you can write with any questions or concerns at:

Customer eXperience Center
553 Benson Road
Benton Harbor, MI 49022-2692

Please include a daytime phone number in your correspondence.

WHIRLPOOL CORPORATION MAJOR APPLIANCE WARRANTY

LIMITED WARRANTY

For one year from the date of purchase, when this major appliance is operated and maintained according to instructions attached to or furnished with the product, Whirlpool Corporation or Whirlpool Canada LP (hereafter "Whirlpool") will pay for Factory Specified Parts and repair labor to correct defects in materials or workmanship. Service must be provided by a Whirlpool designated service company. This limited warranty is valid only in the United States or Canada and applies only when the major appliance is used in the country in which it was purchased. Outside the 50 United States and Canada, this limited warranty does not apply. Proof of original purchase date is required to obtain service under this limited warranty.

ITEMS EXCLUDED FROM WARRANTY

This limited warranty does not cover:

1. Service calls to correct the installation of your major appliance, to instruct you on how to use your major appliance, to replace or repair house fuses, or to correct house wiring or plumbing.
2. Service calls to repair or replace appliance light bulbs, air filters or water filters. Consumable parts are excluded from warranty coverage.
3. Repairs when your major appliance is used for other than normal, single-family household use or when it is used in a manner that is contrary to published user or operator instructions and/or installation instructions.
4. Damage resulting from accident, alteration, misuse, abuse, fire, flood, acts of God, improper installation, installation not in accordance with electrical or plumbing codes, or use of consumables or cleaning products not approved by Whirlpool.
5. Cosmetic damage, including scratches, dents, chips or other damage to the finish of your major appliance, unless such damage results from defects in materials or workmanship and is reported to Whirlpool within 30 days from the date of purchase.
6. Any food loss due to refrigerator or freezer product failures.
7. Costs associated with the removal from your home of your major appliance for repairs. This major appliance is designed to be repaired in the home and only in-home service is covered by this warranty.
8. Repairs to parts or systems resulting from unauthorized modifications made to the appliance.
9. Expenses for travel and transportation for product service if your major appliance is located in a remote area where service by an authorized Whirlpool servicer is not available.
10. The removal and reinstallation of your major appliance if it is installed in an inaccessible location or is not installed in accordance with published installation instructions.
11. Major appliances with original model/serial numbers that have been removed, altered or cannot be easily determined. This warranty is void if the factory applied serial number has been altered or removed from your major appliance.

The cost of repair or replacement under these excluded circumstances shall be borne by the customer.

DISCLAIMER OF IMPLIED WARRANTIES; LIMITATION OF REMEDIES

CUSTOMER'S SOLE AND EXCLUSIVE REMEDY UNDER THIS LIMITED WARRANTY SHALL BE PRODUCT REPAIR AS PROVIDED HEREIN. IMPLIED WARRANTIES, INCLUDING WARRANTIES OF MERCHANTABILITY OR FITNESS FOR A PARTICULAR PURPOSE, ARE LIMITED TO ONE YEAR OR THE SHORTEST PERIOD ALLOWED BY LAW. WHIRLPOOL SHALL NOT BE LIABLE FOR INCIDENTAL OR CONSEQUENTIAL DAMAGES. SOME STATES AND PROVINCES DO NOT ALLOW THE EXCLUSION OR LIMITATION OF INCIDENTAL OR CONSEQUENTIAL DAMAGES, OR LIMITATIONS ON THE DURATION OF IMPLIED WARRANTIES OF MERCHANTABILITY OR FITNESS, SO THESE EXCLUSIONS OR LIMITATIONS MAY NOT APPLY TO YOU. THIS WARRANTY GIVES YOU SPECIFIC LEGAL RIGHTS, AND YOU MAY ALSO HAVE OTHER RIGHTS WHICH VARY FROM STATE TO STATE OR PROVINCE TO PROVINCE.

If outside the 50 United States and Canada, contact your authorized Whirlpool dealer to determine if another warranty applies.

If you need service, first see the "Troubleshooting" section of the Use & Care Guide. After checking "Troubleshooting," you may find additional help by checking the "Assistance or Service" section or by calling Whirlpool. In the U.S.A., call **1-800-253-1301**. In Canada, call **1-800-807-6777**.

9/07

Keep this book and your sales slip together for future reference. You must provide proof of purchase or installation date for in-warranty service.

Write down the following information about your major appliance to better help you obtain assistance or service if you ever need it. You will need to know your complete model number and serial number. You can find this information on the model and serial number label located on the product.

Dealer name _____

Address _____

Phone number _____

Model number _____

Serial number _____

Purchase date _____

SEGURIDAD DE LA ESTUFA

Su seguridad y la seguridad de los demás es muy importante.

Hemos incluido muchos mensajes importantes de seguridad en este manual y en su electrodoméstico. Lea y obedezca siempre todos los mensajes de seguridad.



Este es el símbolo de advertencia de seguridad.

Este símbolo le llama la atención sobre peligros potenciales que pueden ocasionar la muerte o una lesión a usted y a los demás.

Todos los mensajes de seguridad irán a continuación del símbolo de advertencia de seguridad y de la palabra "PELIGRO" o "ADVERTENCIA". Estas palabras significan:

 **PELIGRO**

Si no sigue las instrucciones de inmediato, usted puede morir o sufrir una lesión grave.

 **ADVERTENCIA**

Si no sigue las instrucciones, usted puede morir o sufrir una lesión grave.

Todos los mensajes de seguridad le dirán el peligro potencial, le dirán cómo reducir las posibilidades de sufrir una lesión y lo que puede suceder si no se siguen las instrucciones.

ADVERTENCIA: Si la información en este manual no se sigue con exactitud, podría ocurrir un incendio o una explosión, lo que causaría daños a propiedades, heridas personales o la muerte.

- No almacene o use gasolina u otros líquidos y vapores inflamables cerca de este u otro aparato electrodoméstico.
- **PASOS QUE USTED DEBE SEGUIR SI HUELE A GAS:**
 - No trate de encender ningún aparato electrodoméstico.
 - No toque ningún interruptor eléctrico.
 - No use ningún teléfono en su casa o edificio.
 - Llame inmediatamente a su proveedor de gas desde el teléfono de un vecino.
Siga las instrucciones de su proveedor de gas.
 - Si usted no puede comunicarse con su proveedor de gas, llame al departamento de bomberos.
- La instalación y el servicio deben ser efectuados por un instalador calificado, una agencia de servicio o por el proveedor de gas.

ADVERTENCIA: Las pérdidas de gas no siempre se pueden detectar por el olfato.

Los proveedores de gas recomiendan que usted use un detector de gas aprobado por UL (Laboratorio de normalización) o CSA (Asociación canadiense de seguridad).

Para obtener más información, póngase en contacto con su proveedor de gas.

Si se detecta una fuga de gas, siga las instrucciones de "Pasos que usted debe seguir si huele a gas".

Advertencias de la Proposición 65 del estado de California:

ADVERTENCIA: Este producto contiene una sustancia química identificada por el estado de California como causante de cáncer.

ADVERTENCIA: Este producto contiene una sustancia química identificada por el estado de California como causante de defectos congénitos o algún otro tipo de daños en la función reproductora.

El soporte antivuelco

La estufa no se volteará durante el uso normal. Sin embargo, si usted aplica mucha fuerza o peso a la puerta abierta sin haber fijado adecuadamente el soporte antivuelco, la estufa puede voltearse.



⚠ ADVERTENCIA

Peligro de Vuelco

Un niño o un adulto puede volcar accidentalmente la estufa y resultar muerto.

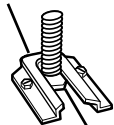
Conecte el soporte anti-vuelco a la pata trasera de la estufa.

Si traslada de lugar la estufa, vuelva a conectar el soporte anti-vuelco.

Consulte las instrucciones de instalación para más detalles.

No seguir estas instrucciones puede ocasionar la muerte o quemaduras graves en niños y adultos.

El soporte anti-vuelco



La pata trasera

Asegúrese de que el soporte anti-vuelco haya sido instalado:

- **Deslice la estufa hacia adelante.**
- **Verifique que el soporte anti-vuelco esté bien asegurado al piso.**
- **Deslice la estufa para colocarla de nuevo en su lugar asegurándose de que la pata trasera quede debajo del soporte anti-vuelco.**

INSTRUCCIONES IMPORTANTES DE SEGURIDAD

ADVERTENCIA: Para reducir el riesgo de incendio, electrocución, lesiones a personas o daños al usar la estufa de gas, siga precauciones básicas, incluyendo las siguientes:

- **ADVERTENCIA:** PARA REDUCIR EL RIESGO DE VOLTEO DE LA ESTUFA DE GAS, ÉSTA DEBE ASEGURARSE EN EL PISO MEDIANTE LA INSTALACIÓN DE DISPOSITIVOS DE ANTI-VUELCO. PARA VERIFICAR SI LOS DISPOSITIVOS ESTÁN INSTALADOS ADECUADAMENTE, DESLICE LA ESTUFA DE GAS HACIA ADELANTE, CERCÍOARSE QUE EL SOPORTE ANTI-VUELCO ESTÉ BIEN FIJO EN EL PISO Y DESLICE LA ESTUFA DE GAS HACIA ATRÁS DE MANERA QUE LA PATA TRASERA DE LA ESTUFA DE GAS QUEDE FIJA DEBAJO DEL SOPORTE ANTI-VUELCO.
- **ADVERTENCIA:** NUNCA use este electrodoméstico como calefactor de ambientes para calentar o entibiar la habitación. El hacerlo puede resultar en la intoxicación con monóxido de carbono y el sobrecalentamiento del horno.
- **ADVERTENCIA:** NUNCA cubra ranuras, orificios o pasajes en la parte inferior del horno ni cubra una rejilla entera con materiales tales como papel de aluminio. El hacerlo bloquea el flujo de aire en el horno y puede causar la intoxicación con monóxido de carbono. Los forros de papel de aluminio también pueden atrapar el calor y provocar un riesgo de incendio.
- **AVISO:** No almacene artículos que interesen a los niños en los armarios que están encima de una estufa de gas o en el respaldo de protección de una estufa de gas - al trepar los niños encima de la estufa para alcanzar algún objeto, podrían lastimarse seriamente.

- **Instalación apropiada** – Al instalar la estufa de gas debe hacer la conexión eléctrica a tierra de acuerdo con las normas locales o, en ausencia de normas locales, con *el Código Eléctrico Nacional (National Electrical Code), ANSI/NFPA 70*. Cerciórese que la instalación y puesta a tierra de la estufa de gas sean efectuadas adecuadamente por un técnico competente.
- Esta estufa de gas está equipada con un enchufe de tres puntas con contacto a tierra para su protección contra riesgo de electrocución y debería enchufarse directamente a un tomacorriente que tiene conexión a tierra. No corte ni quite la punta para conexión a tierra de este enchufe.
- Desconecte el suministro de energía antes de dar mantenimiento.
- El mal uso de las puertas o cajones del aparato electrodoméstico, tales como pisar, recostarse o sentarse en las puertas o cajones, puede ocasionar heridas.
- **Mantenimiento** – Mantenga el área de la estufa de gas despejada y libre de materiales combustibles, gasolina y otros vapores y líquidos inflamables.
- **Almacenaje dentro o encima de la estufa de gas** – No se debe almacenar materiales inflamables en el horno o cerca de las unidades que están en la superficie.
- El tamaño de la llama del quemador superior debe ajustarse de manera que no se extienda más allá de los bordes del utensilio de estufa.

Para estufas de gas de limpieza automática –

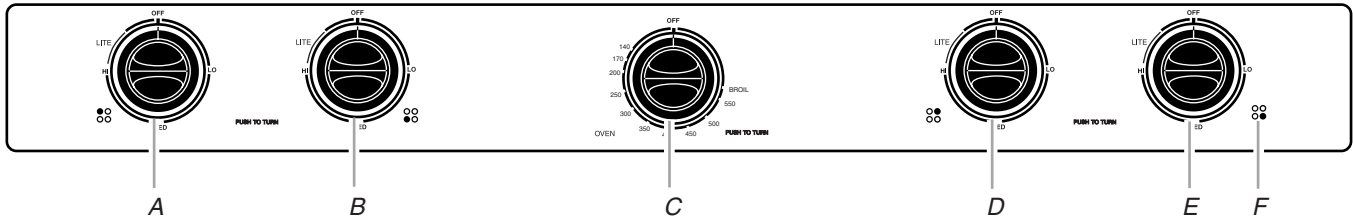
- Antes de efectuar la limpieza automática del horno – quite la charola para asar y otros utensilios. Limpie con un trapo húmedo todo derrame excesivo antes de iniciar el ciclo de autolimpieza.

GUARDE ESTAS INSTRUCCIONES

PIEZAS Y CARACTERÍSTICAS

Este manual abarca varios modelos distintos. La estufa que usted ha adquirido puede tener algunas o todas las piezas y características que se enumeran. Las ubicaciones y aspecto de las características que aquí se ilustran quizás no coincidan con su modelo.

Panel de control

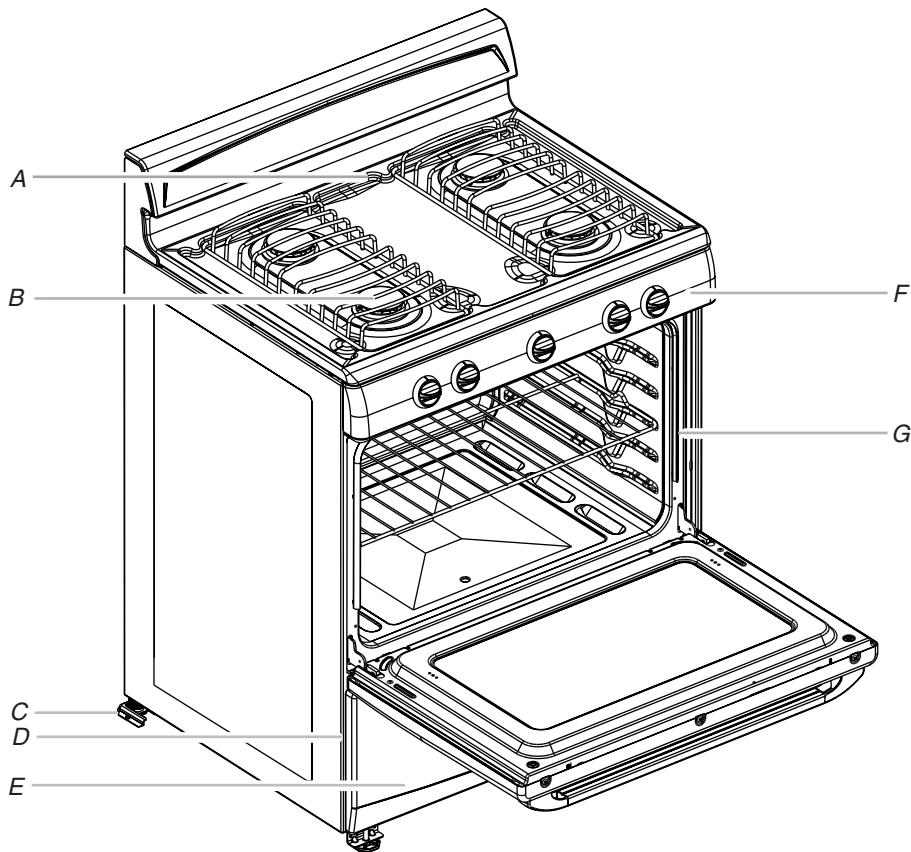


- A. Perilla de control del quemador izquierdo trasero
- B. Perilla de control del quemador izquierdo delantero

- C. Perilla de control de la temperatura del horno
- D. Perilla de control del quemador derecho trasero

- E. Perilla de control del quemador derecho delantero
- F. Localizador del quemador exterior

Cocina



- A. Ducto de ventilación del horno
- B. Quemadores exteriores y parrillas
- C. Soporte antivuelco

- D. Placa del número de modelo y número de serie (detrás del lado izquierdo de la puerta del asador)
- E. Puerta del asador

- F. Panel de control
- G. Junta de la puerta

USO DE LA SUPERFICIE DE COCCIÓN

Controles de temperatura de la superficie de cocción y del horno

⚠️ ADVERTENCIA



Peligro de Incendio

No permita que la llama del quemador se extienda más allá que la orilla de la cacerola.

Apague todos los controles cuando no esté cocinando.

No seguir estas instrucciones puede ocasionar la muerte o incendio.

Los encendedores eléctricos encienden automáticamente los quemadores de la superficie al girar las perillas de control hacia LITE (Encendido).

Antes de fijar una perilla de control, coloque el utensilio de cocina lleno en la parrilla. No ponga a funcionar un quemador con un utensilio de cocina vacío o si la parrilla está libre.

Para fijar la temperatura del quemador:

- Oprima y gire la perilla a la izquierda hacia LITE.
Los cuatro quemadores de la superficie harán un chasquido pero sólo el quemador cuya perilla de control esté en LITE producirá una llama.
- Gire la perilla hacia cualquier posición entre HI (Alto) y LO (Bajo). El chasquido parará. Use el cuadro siguiente como guía para fijar los niveles de calor.

AJUSTE	USO RECOMENDADO PARA
LITE (encendido)	<ul style="list-style-type: none"> Encender el quemador.
HI (alto)	<ul style="list-style-type: none"> Comenzar a cocinar los alimentos. Hacer hervir un líquido.
MED (medio)	<ul style="list-style-type: none"> Mantener un hervor rápido. Dorar rápidamente los alimentos. Freír o sofreír los alimentos. Preparar sopas y salsas. Guisar o cocer al vapor los alimentos.
LO (bajo)	<ul style="list-style-type: none"> Mantener los alimentos calientes. Dejar hervir a fuego lento.

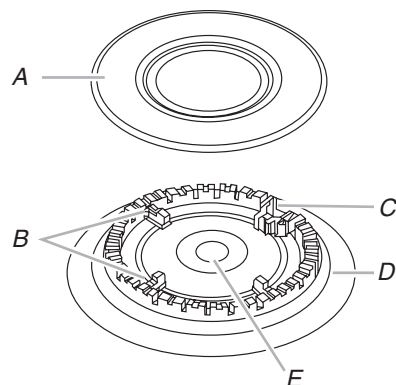
Para fijar la temperatura del horno:

Presione y gire la perilla de control al ajuste de temperatura deseado.

Cortes de corriente

En el caso de un corte de corriente prolongado, se pueden encender los quemadores de la superficie manualmente. Sostenga un cerillo encendido cerca del quemador y gire la perilla a la izquierda hacia LITE. Después de que el quemador se encienda, gire la perilla al ajuste deseado.

Quemadores de superficie

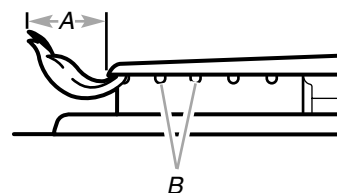


- A. Tapa del quemador (parte inferior)
- B. Espigas de alineación
- C. Encendedor
- D. Base del quemador
- E. Abertura del tubo de gas

IMPORTANTE: No obstruya el flujo de aire de combustión y de ventilación alrededor de los bordes de la parrilla del quemador.

Tapa del quemador: Cuando use los quemadores de la superficie mantenga siempre la tapa del quemador en su lugar. La tapa limpia del quemador ayudará a prevenir el encendido inadecuado y las llamas desiguales. Siempre limpie la tapa del quemador después de un derrame y como rutina quite y limpie las tapas y bases tal como lo indica la sección "Limpieza general."

Abertura del tubo de gas: El gas debe fluir con libertad a través de la abertura del tubo de gas para que el quemador se encienda adecuadamente. Mantenga esta zona libre de suciedad y no permita el ingreso de derrames, alimentos, productos de limpieza o cualquier otro material en la abertura del tubo de gas. Mantenga los derrames lejos del tubo de gas usando siempre una tapa para el quemador.



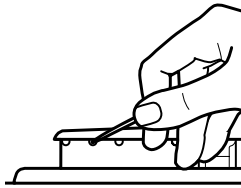
- A. 1-1½" (25-38 mm)
- B. Orificios del quemador

Orificios del quemador: Revise las llamas del quemador de vez en cuando para cerciorarse de que tengan la forma y el tamaño adecuados, tal como se ilustra arriba. Una buena llama es de color azul, no amarillo. Mantenga esta zona libre de suciedad y no permita el ingreso de derrames, alimentos, productos de limpieza o cualquier otro material en los orificios del quemador.

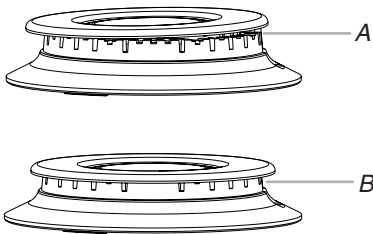
Para limpiar:

IMPORTANTE: Antes de limpiar, cerciéndose de que todos los controles estén apagados y que el horno y la superficie de cocción estén fríos. No use productos comerciales para limpiar hornos, blanqueadores o disolventes de óxido.

1. Quite las parrillas del quemador exterior.
2. Quite la tapa del quemador de la base del quemador y limpie tal como se indica en la sección "Limpieza general".
3. Limpie la abertura del tubo de gas con un paño húmedo.
4. Limpie los orificios obstruidos del quemador con un alfiler recto, tal como se ilustra. No agrande ni distorsione el orificio. No use palillos de dientes de madera. Si el quemador necesita ser regulado, póngase en contacto con un técnico de reparación competente.



5. Vuelva a colocar la tapa del quemador sobre la base del mismo, asegurándose de que las espigas de alineamiento estén debidamente alineadas con la tapa del quemador.



A. Incorrecto
B. Correcto

6. Vuelva a colocar las parrillas del quemador exterior en su lugar.
7. Encienda el quemador. Si el quemador no se enciende, verifique el alineamiento de la tapa. Si el quemador todavía no se enciende, no intente reparar el quemador por su cuenta. Póngase en contacto con un técnico de reparación competente.

Enlatado casero

Al preparar enlatados durante períodos prolongados, alterne el uso de los quemadores de superficie entre cada lote. Esto da tiempo para que las áreas usadas recientemente se enfríen.

- Centre el envasador en la parrilla.
- No coloque el envasador sobre 2 áreas de quemadores de superficie a la vez.
- Para obtener más información, póngase en contacto con el departamento de agricultura de su localidad. También pueden ofrecer ayuda las compañías que fabrican productos para enlatado casero.

Utensilios de cocina

IMPORTANTE: No deje utensilios de cocina vacíos encima de un área de cocción de superficie, elemento o quemador de superficie caliente.

Los utensilios de cocina ideales deben tener un fondo plano, lados rectos, una tapa que encaje bien y el material debe ser de un espesor mediano a grueso.

Las superficies ásperas pueden rayar la superficie de cocción o las parrillas. El aluminio y el cobre pueden emplearse como núcleo o base en los utensilios de cocina. Sin embargo, al ser usados como base, pueden dejar marcas permanentes en la superficie de cocción o las parrillas.

El material de los utensilios de cocina es un factor que repercute en la rapidez y uniformidad en que se transmite el calor, lo cual afecta los resultados de cocción. Un acabado antiadherente tiene las mismas características de su material base. Por ejemplo, utensilios de aluminio con un acabado antiadherente tendrán las propiedades del aluminio.

No deben usarse utensilios de cocina con superficies antiadherentes debajo del asador.

Use el siguiente cuadro como guía respecto a las características del material de los utensilios de cocina.

UTENSILIO DE COCINA	CARACTERÍSTICAS
Aluminio	<ul style="list-style-type: none">■ Calienta rápida y uniformemente.■ Adecuado para todo tipo de cocción.■ Espesor mediano o grueso es mejor para la mayoría de las tareas culinarias.
Hierro fundido	<ul style="list-style-type: none">■ Calienta lenta y uniformemente.■ Bueno para dorar y freír.■ Mantiene el calor para una cocción lenta.
Cerámica o cerámica vitrificada	<ul style="list-style-type: none">■ Siga las instrucciones del fabricante.■ Calienta lentamente pero no uniformemente.■ Resultados ideales en ajustes de fuego bajo a medio.
Cobre	<ul style="list-style-type: none">■ Calienta muy rápida y uniformemente.
Loza de barro	<ul style="list-style-type: none">■ Siga las instrucciones del fabricante.■ Use en ajustes de calor bajo.
Acero o hierro fundido esmaltado de porcelana	<ul style="list-style-type: none">■ Vea acero inoxidable o hierro fundido.
Acero inoxidable	<ul style="list-style-type: none">■ Calienta rápidamente pero no uniformemente.■ Un centro o base de aluminio o cobre sobre el acero inoxidable proporciona un calor uniforme.

USO DEL HORNO

Los olores y el humo son normales cuando el horno se usa las primeras veces o cuando éste tiene suciedad profunda.

IMPORTANTE: La salud de algunas aves es sumamente sensible a los gases emanados. La exposición a los gases puede ocasionar la muerte de ciertas aves. Mude siempre las aves a otro cuarto cerrado y bien ventilado.

Papel de aluminio

IMPORTANTE: Para evitar daños permanentes en el acabado del fondo del horno, no lo forre con ningún tipo de papel de aluminio o revestimiento.

- En aquellos modelos con ductos de escape inferiores, no obstruya ni tape los ductos de escape inferiores del horno.
- Para obtener óptimos resultados de cocción, no cubra toda la parrilla con papel de aluminio, ya que el aire debe circular con libertad.
- Para recoger los derrames, coloque papel de aluminio en la parrilla que está debajo del recipiente de hornear. Asegúrese de que el papel de aluminio sea por lo menos ½" (1,3 cm) más grande que el recipiente de hornear y que los bordes estén doblados hacia arriba.

Posición de las parrillas y los utensilios para hornear

IMPORTANTE: Para evitar daños permanentes en el acabado de porcelana, no coloque alimentos ni utensilios de hornear directamente sobre la puerta o la base del horno.

PARRILLAS

- Ubique las parrillas antes de encender el horno.
- No mueva las parrillas con los utensilios para hornear sobre ellas.
- Cerciórese de que las parrillas estén niveladas.

Para un mejor resultado, hornee sobre una parrilla. Coloque la parrilla de tal manera que la parte más alta del alimento a hornear quede en el centro del horno. Para mover una parrilla, júlela hasta la posición de tope, levante el borde delantero y luego sáquela.

ALIMENTO	POSICIÓN DE LA PARRILLA
Asados grandes, pavos, pasteles de ángel, roscas Bundt y pasteles en forma de rosca, panes rápidos, pays	1 ó 2
Panes de levadura, guisados, carne y aves	2
Galletas, pastelillos, panecillos, pasteles	2 ó 3

UTENSILIOS PARA HORNEAR

Para la cocción uniforme, el aire caliente debe poder circular. Deje 2" (5 cm) de espacio alrededor del utensilio para hornear y las paredes del horno. Use el siguiente cuadro como guía.

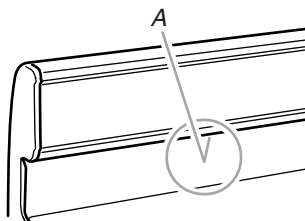
NÚMERO DE CACEROLA(S)	UBICACIÓN EN LA PARRILLA
1	Centro de la parrilla.
2	Lado a lado o ligeramente en zigzag.
3 ó 4	En esquinas opuestas en cada parrilla. Cerciórese de que ningún utensilio para hornear esté directamente encima del otro.

Utensilios para hornear

El material de los utensilios para hornear afecta los resultados de cocción. Siga las recomendaciones del fabricante y emplee el tamaño de utensilio para hornear recomendado en la receta de cocina. Use el siguiente cuadro como guía.

UTENSILIO PARA HORNEAR/ RESULTADOS	RECOMENDACIONES
Aluminio de color claro	■ Use la temperatura y el tiempo recomendados en la receta.
■ Cortezas doradas claras	
■ Dorado uniforme	
Aluminio oscuro y otros utensilios para hornear con acabado oscuro, mate y/o antiadherente	■ Puede necesitar reducir un poco la temperatura para hornear.
■ Cortezas bien doradas, crujientes	■ Use el tiempo recomendado de horneado.
	■ Para pays, panes y guisados, use la temperatura recomendada en la receta.
	■ Coloque la parrilla en el centro del horno.
Moldes o bandejas para hornear termoaislados	■ Colóquelos en la tercera posición inferior del horno.
■ Poco o nada de dorado en el fondo	■ Puede necesitar aumentar el tiempo de horneado.
Acero inoxidable	■ Puede necesitar aumentar el tiempo de horneado.
■ Cortezas doradas, claras	
■ Dorado desigual	
Cerámica de gres/ Piedra para hornear	■ Siga las instrucciones del fabricante.
■ Cortezas crujientes	
Utensilios de vidrio resistentes al horno, cerámica vitrificada o cerámica	■ Puede necesitar reducir un poco la temperatura para hornear.
■ Cortezas doradas, crujientes	

Ducto de escape del horno



A. Ducto de escape del horno

El ducto de escape del horno libera aire caliente y humedad del horno y no debe bloquearse ni taparse. El hacerlo dará lugar a una circulación de aire insatisfactoria, afectando los resultados de cocción y de limpieza. No coloque objetos de plástico, papel u otros artículos que podrían derretirse o quemarse cerca del ducto de escape del horno.

Cómo hornear y asar

IMPORTANTE: Para evitar daños permanentes en el acabado del interior, no coloque alimentos ni utensilios de cocción directamente sobre la puerta o la base del horno.

Antes de hornear o asar, coloque las parrillas según la sección "Posición de las parrillas y los utensilios para hornear". Al asar, no es necesario esperar a que el horno se precaliente antes de colocar los alimentos en él, a menos que la receta culinaria lo recomiende.

Para hornear o asar:

1. Oprima y gire la perilla de control del horno hacia el ajuste de temperatura deseado.
2. Ponga la comida en el horno.
El quemador del horno entrará en un ciclo de encendido y apagado para mantener el ajuste de la temperatura del horno.
3. Empuje hacia adentro y gire la perilla de control del horno hacia la posición para asar. Puede bajarse la temperatura en cualquier momento durante el asado girando la perilla de control del horno hacia la temperatura deseada.
4. Cuando haya terminado, oprima y gire la perilla de control del horno a OFF (Apagado).

Cómo asar a la parrilla

ASADOR

El asador está ubicado debajo de la puerta del horno. La charola y la rejilla del asador se deslizan hacia afuera, lo cual facilita el acceso a las mismas. Para asar, siempre tenga las puertas del asador y del horno cerradas.

- Para evitar daños en el asador, no se apoye en la puerta del mismo ni aplique peso mientras esté abierta.
- No precaliente el asador antes de usarlo. Mantenga bien cerrada la puerta del asador cuando esté asando.
- Es posible asar alimentos que requieren más tiempo de cocción, tales como piezas de pollo, a una temperatura más baja para evitar que se doren demasiado. Para asar a temperatura baja, gire la perilla a 400°F ó 450°F, en lugar de girarla hacia Broil (Asar).
- No use la cavidad del asador para almacenaje.
- Use únicamente la charola y la rejilla del asador que vienen con el electrodoméstico. Éstas han sido diseñadas para drenar los jugos de la carne y evitar salpicaduras y humo.

- Para lograr un drenado adecuado, no forre la rejilla con papel de aluminio. Se puede forrar el fondo de la charola con papel de aluminio para facilitar la limpieza.
- Quite el exceso de grasa para reducir las salpicaduras. Corte la grasa restante de los bordes para evitar que se onduen.
- Jale la parrilla del horno hasta su posición de tope antes de dar vuelta o sacar los alimentos. Use tenazas para dar vuelta la carne a fin de evitar que se pierdan los jugos. Quizás no sea necesario dar vuelta los cortes delgados de pescado, aves o carne.
- Después de asar, saque la charola del horno al retirar los alimentos. Los goteos que queden en la charola se hornearán si se dejan en el horno caliente, dificultando aún más la limpieza.

Cómo asar a la parrilla:

1. Abra la puerta del asador y saque la charola para asar y la parrilla.
2. Coloque el alimento en la parrilla de manera que la grasa pueda drenarse en la parte inferior de la charola para asar.
3. Coloque la charola sobre la rejilla para asar y cierre la puerta del asador.
4. Empuje hacia adentro y gire la perilla de control del horno hacia la posición para asar. Puede bajarse la temperatura en cualquier momento durante el asado girando la perilla de control del horno hacia la temperatura deseada.
5. Cuando haya terminado, oprima y gire la perilla de control del horno a la posición de OFF (Apagado).

CUADRO PARA ASAR

Para obtener mejores resultados, coloque la comida a 3" (7 cm) o más del elemento asador. Los tiempos son solamente una guía y pueden necesitar ajustarse para los alimentos y gustos individuales.

ALIMENTO	TIEMPO DE COCCIÓN	
	Minutos	
	LADO 1	LADO 2
Trozos de pollo		
con hueso	15-17	15-17
pechugas deshuesadas	11-13	11-13
Filetes de pescado		
de ½ - ¾" (1,25-1,8 cm) de grosor	7-8	3-4
Salchichas Frankfurt	5-6	2-3
Hamburguesas de carne molida*		
de ¾" (1,8 cm) de grosor, bien cocidas*	11-13	6-7
Trozo de jamón, precocido		
de ½" (1,25 cm) de grosor	6-8	3-4
Chuletas de cordero		
de 1" (2,5 cm) de grosor	14-17	8-9
Chuletas de cerdo		
de 1" (2,5 cm) de grosor	19-21	9-10
Bistec		
de 1" (2,5 cm) de grosor		
medio crudo,	10-12	5-6
término medio	12-14	6-7
bien cocido	16-17	8-9

*Coloque hasta 12 hamburguesas, separadas uniformemente, en la rejilla del asador.

CUIDADO DE LA ESTUFA

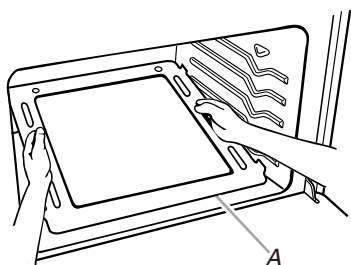
Cómo quitar el fondo del horno

Se puede quitar el fondo del horno para efectuar una limpieza regular del mismo.

Antes de limpiar, cerciórese de que el horno esté completamente frío.

Para quitar:

1. Retire las parrillas del horno.
2. Coloque los dedos en las ranuras del panel del fondo.



A. Borde

3. Levante la parte posterior del panel hacia arriba y hacia atrás. El borde de la parte delantera del panel deberá liberarse del marco frontal de la cavidad del horno.
4. Levante el fondo hacia arriba y hacia fuera.

Para volver a colocar:

Siga los pasos arriba indicados en orden inverso.

Limpieza general

IMPORTANTE: Antes de limpiar, asegúrese de que todos los controles estén apagados y que el horno y la superficie de cocción estén fríos. Siga siempre las instrucciones que vienen en las etiquetas de los productos de limpieza. No limpie ninguna de las superficies del interior hasta que el horno se haya enfriado por completo. Para evitar romper el vidrio, no aplique un paño húmedo y frío al vidrio interior de la puerta antes de que se haya enfriado por completo.

A menos que se indique lo contrario, se sugiere primero jabón, agua y un paño suave o una esponja.

SUPERFICIES EXTERIORES DE ESMALTE DE PORCELANA (en algunos modelos)

Los derrames que contienen ácidos, tales como vinagre y tomate, deben ser limpiados tan pronto como se enfríe el electrodoméstico. Es posible que estos derrames dañen el acabado.

Método de limpieza:

- Producto para limpiar vidrios, producto de limpieza líquido suave o estropajo no abrasivo:
Limpie cuidadosamente alrededor de la placa con el número de modelo y de serie porque el refregar puede borrar los números.
- Limpiador multiuso para electrodomésticos, Pieza número 31682 (no incluido):
Vea la sección “Ayuda o servicio técnico” para encargarlo.

CONTROLES DE LA SUPERFICIE DE COCCIÓN

Para evitar daños en los controles de la superficie de cocción, no use estopa de acero, productos de limpieza abrasivos ni limpiador de horno.

Para evitar daños, no remoje las perillas.

Cuando vuelva a colocar las perillas, asegúrese de que las mismas estén en la posición de apagado.

En algunos modelos, no quite los obturadores que están debajo de las perillas.

Método de limpieza:

- Agua y jabón o lavavajillas:
Jale las perillas en sentido recto para quitarlas del panel de control.

PANEL DE CONTROL

Para evitar daños en el panel de control, no use productos de limpieza abrasivos, estropajos de fibra metálica, paños ásperos o toallas de papel abrasivas.

Método de limpieza:

- Producto para limpiar vidrios y un paño suave o esponja:
Aplique el producto para limpiar vidrios en una esponja o paño suave, no lo haga directamente sobre el panel.
- Limpiador multiuso para electrodomésticos, Pieza número 31682 (no incluido):
Vea la sección “Ayuda o servicio técnico” para encargarlo.

TAPAS Y PARRILLAS CON REVESTIMIENTO DE PORCELANA

Los derrames que contienen ácidos, tales como vinagre y tomate, deben ser limpiados tan pronto como se enfrien la superficie de cocción, las parrillas y las tapas. Es posible que estos derrames dañen el acabado.

Para evitar las desportilladuras, no golpee las parrillas y las tapas una contra la otra o contra superficies tales como utensilios de cocina de hierro fundido.

No vuelva a armar las tapas sobre los quemadores mientras estén húmedas.

Método de limpieza:

- Estropajo de plástico no abrasivo y limpiador abrasivo suave:
Límpielas tan pronto como la superficie de cocción, las parrillas y las tapas se hayan enfriado.
- En la lavavajillas (sólo las parrillas, no las tapas):
Use el ciclo que sea más poderoso. Los restos de alimentos cocidos deben ponerse en remojo o fregarse antes de ponerlos en una lavavajillas.
- Limpiador para rejilla a gas y bandeja de goteo, pieza número 31617:
Vea la sección “Ayuda o servicio técnico” para encargarlo.

QUEMADORES DE LA SUPERFICIE

Vea la sección “Quemadores de la superficie”.

EXTERIOR DE LA PUERTA DEL HORNO

Método de limpieza:

- Producto para limpiar vidrios y un paño suave o esponja:
Aplique el producto para limpiar vidrios en una esponja o paño suave, no lo haga directamente sobre el panel.
- Limpiador multiuso para electrodomésticos, Pieza número 31682 (no incluido):
Vea la sección “Ayuda o servicio técnico” para encargarlo.

CAVIDAD DEL HORNO

Los derrames de alimentos deberán limpiarse cuando el horno se enfríe. A altas temperaturas, la reacción química de los alimentos con la porcelana puede dar lugar a manchas, corrosión, picaduras o tenues puntos blancos.

En algunos modelos, se puede quitar la puerta del horno. Vea primero “Puerta del Horno”.

Método de limpieza:

- Esponja de fibra metálica.
- Limpiador para horno: Siga las instrucciones de la etiqueta del producto.

PARRILLAS DEL HORNO Y PARA ASAR

Método de limpieza:

- Esponja de fibra metálica

CHAROLA PARA ASAR Y PARRILLA (en algunos modelos)

Método de limpieza:

Lave en agua tibia jabonosa. (No se recomienda lavar la rejilla de cromo en la lavavajillas.)

Pueden usarse un limpiador abrasivo suave y un estropajo de plástico para quitar las manchas rebeldes.

Para los tazones que tengan suciedad profunda, coloque una toalla de papel humedecida con amoníaco en las manchas y déjelos en remojo por un período corto; luego refriegue suavemente con un estropajo de plástico.

Esmalte de porcelana solamente

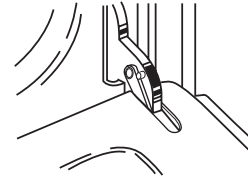
- Agua tibia jabonosa o lavavajillas
- Limpiador para horno: Siga las instrucciones de la etiqueta del producto.

Puerta del horno

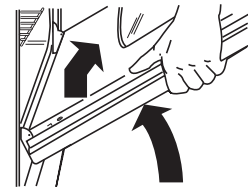
Para un uso normal de la estufa, no se aconseja quitar la puerta del horno. Sin embargo, si es necesario quitarla, asegúrese de que el horno esté apagado y frío. Después, siga estas instrucciones. La puerta del horno es pesada.

Para quitarla:

1. Abra la puerta del horno. Introduzca los pasadores de la bisagra que se incluyen con su estufa, en ambos ganchos de suspensión de la bisagra. No quite los pasadores mientras esté sacando la puerta de la estufa.



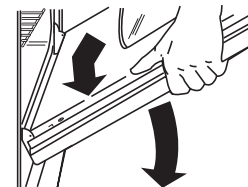
2. Sujete ambos lados de la puerta con sus dedos en el frente de la puerta y sus pulgares en la superficie interior.



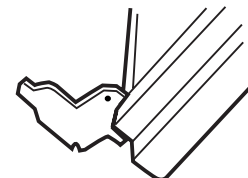
3. Jale la puerta hacia arriba y luego hacia usted. No quite los pasadores de la bisagra hasta que la puerta haya sido colocada de nuevo en la estufa.

Para volver a colocarla:

1. Sujete ambos lados de la puerta con sus dedos en el frente de la puerta y sus pulgares en la superficie interior.



2. Sostenga la puerta del horno de modo que el borde superior de cada ranura de la puerta esté en posición horizontal. Introduzca la bisagra de la puerta en las ranuras de la bisagra.
3. Incline la parte superior de la puerta hacia la estufa. Inserte la muesca de la bisagra inferior de la puerta hacia abajo, en el borde del marco frontal.



4. Abra la puerta completamente y quite los pasadores de la bisagra. Guarde los pasadores para uso futuro.
5. Cierre la puerta lentamente para asegurarse de que la puerta tenga el espacio apropiado a los lados y que las bisagras hayan encajado adecuadamente.

SOLUCIÓN DE PROBLEMAS

Pruebe primero las soluciones aquí sugeridas para evitar el costo de una visita de servicio técnico innecesaria.

Nada funciona

⚠️ ADVERTENCIA



Peligro de Choque Eléctrico

Conecte a un contacto de pared de conexión a tierra de 3 terminales.

No quite la terminal de conexión a tierra.

No use un adaptador.

No use un cable eléctrico de extensión.

No seguir estas instrucciones puede ocasionar la muerte, incendio o choque eléctrico.

- **¿Se ha cableado y polarizado debidamente el contacto de suministro de energía?**
Pruebe otro contacto para verificar si el cableado y la polaridad son los adecuados.
- **¿Está desenchufado el cable eléctrico?**
Enchúfelo en un contacto de tres terminales con debida conexión a tierra.
- **¿Hay un fusible de la casa fundido o se disparó el cortacircuitos?**
Reemplace el fusible o reposicione el cortacircuitos. Si el problema continúa, llame a un electricista.
- **¿Está la válvula principal o la válvula reguladora de cierre del gas en la posición apagada?**
Vea las instrucciones de instalación.
- **¿Está la estufa debidamente conectada al suministro de gas?**
Póngase en contacto con un especialista de reparaciones competente o vea las instrucciones de instalación.

Los quemadores de la superficie no funcionan

- **¿Es ésta la primera vez que se usan los quemadores de la superficie?**
Encienda cualquiera de las perillas de los quemadores de la superficie para liberar el aire proveniente de la tubería del gas.
- **¿Se ha fijado correctamente la perilla de control?**
Oprima la perilla antes de girar a un ajuste.
- **¿Están obstruidos los orificios del quemador?**
Vea la sección "Quemadores de la superficie".

Las llamas del quemador de la superficie están desiguales, amarillas y/o ruidosas

- **¿Están obstruidos los orificios del quemador?**
Vea la sección "Quemadores de la superficie".
- **¿Están las tapas del quemador colocadas adecuadamente?**
Vea la sección "Quemadores de la superficie".
- **¿Está correcta la mezcla de aire/gas?**
Póngase en contacto con un técnico autorizado para verificar la mezcla de aire/gas, o vea las instrucciones de instalación.
- **¿Se está usando gas propano?**
La estufa puede haber sido convertida incorrectamente. Póngase en contacto con un especialista de reparación competente.

El quemador de la superficie hace estallidos

- **¿Está mojado el quemador?**
Déjelo secar.

Ruidos provenientes de la estufa a gas durante el funcionamiento de los ciclos de Bake (Hornear) y Broil (Asar)

Ruidos que se escuchan durante el funcionamiento de los ciclos de Bake (Hornear) y Broil (Asar):

Zumbidos/Silbidos, ruidos de "puf", chasquidos, ruidos secos, estallidos

Estos sonidos son ruidos normales del funcionamiento, que se pueden escuchar cada vez que se encienden los quemadores para hornear o asar, durante el ciclo.

- Puede escucharse un estallido cuando se abre la válvula de gas o cuando está alternándose el encendido y hará un solo sonido de estallido cuando se abre de un golpe del solenoide. El sonido es similar al de una ventosa que se separa de una pieza de vidrio.
- Los encendedores harán ruidos de chasquido varias veces hasta que se detecte la llama. Éstos son sonidos cortos de chasquido, como cuando se dan golpecitos con un clavo sobre una pieza de vidrio.
- Se escucha un zumbido/silbido o un sonido de "puf" cuando se enciende el quemador de hornear o el de asar.
- En algunos modelos, se escuchará un sonido de chasquido cuando el relé del ventilador de convección se enciende y se apaga.

El utensilio de cocina está desnivelado en la superficie de cocción

- **¿Está nivelada la estufa?**
Nivele la estufa. Vea las Instrucciones de Instalación.
- **¿Se ha utilizado el utensilio de cocina apropiado?**
Use utensilios de cocina con fondo liso. Vea la sección "Utensilios de cocina".

Calor excesivo alrededor del utensilio de cocina en la superficie de cocción

- **¿Es el utensilio de cocina del tamaño apropiado?**
Use un utensilio de cocina de tamaño similar al área, elemento de cocción exterior o quemador de la superficie. El utensilio de cocina no debe extenderse más de ½" (1,3 cm) fuera del área de cocción.

El horno no funciona

- **¿Se ha cableado y polarizado debidamente el contacto de suministro de energía?**
Pruebe otro contacto para verificar si el cableado y la polaridad son los adecuados.
- **¿Es ésta la primera vez que usa el horno?**
Encienda cualquiera de las perillas del quemador de la superficie para liberar el aire proveniente de la tubería de gas.
- **¿Se ha fijado correctamente la perilla de control de la temperatura del horno?**
Vea la sección "Controles de temperatura de la superficie de cocción/horno".
- **¿Está la tubería principal o la válvula reguladora de cierre del gas en la posición de apagado?**
Póngase en contacto con un técnico autorizado o vea las Instrucciones de instalación.

El horno hace un ruido sordo acompasado cuando está en uso

- Esto es normal y ocurre cuando el quemador del horno cambia de ciclo para mantener la temperatura fijada del horno.

Las llamas del quemador del horno están desiguales, amarillas y/o ruidosas

- **¿Se está usando gas propano?**
La estufa puede haber sido convertida incorrectamente. Póngase en contacto con un especialista de reparación competente.
- **¿Está correcta la mezcla de aire/gas?**
Póngase en contacto con un técnico de servicio autorizado para verificar la mezcla de aire/gas, o vea las Instrucciones de instalación.

Los resultados de cocción de la superficie de cocción no son los que se esperaba

- **¿Se está usando el utensilio de cocina apropiado?**
Vea la sección "Utensilios de cocina".
- **¿Se ha fijado la perilla de control en el nivel apropiado de calor?**
Vea la sección "Controles de temperatura de la superficie de cocción y del horno".

Los resultados del horneado no son los que se esperaba

- **¿Se ha precalentado el horno?**
Espere que el horno se precaliente antes de colocar los alimentos en él.
- **¿Se han ubicado las parrillas adecuadamente?**
Vea la sección "Posición de las parrillas y los utensilios para hornear".
- **¿Hay circulación de aire apropiada alrededor del utensilio para hornear?**
Vea la sección "Posición de las parrillas y los utensilios para hornear".
- **¿Se ha distribuido la masa en forma pareja en la bandeja para hornear?**
Revise que la masa esté nivelada en la bandeja para hornear.
- **¿Está nivelada la estufa?**
Nivele la estufa. Vea las instrucciones de instalación.
- **¿Están los artículos horneados demasiado dorados en el fondo?**
Disminuya la temperatura del horno de 10°F a 30°F (5°C a 15°C).
- **¿Se están dorando los bordes de las cortezas antes de tiempo?**
Use papel de aluminio para cubrir el borde de la corteza y/o reduzca la temperatura de horneado.

Horneado o asado lento

- **¿Se ha precalentado el horno?**
Espere que el horno se caliente antes de colocar los alimentos en él.
- **¿Hay circulación de aire apropiada alrededor del utensilio para hornear?**
Vea la sección "Posición de las parrillas y los utensilios para hornear".
- **¿Se está usando un lapso de tiempo apropiado?**
Aumente el tiempo para hornear o asar.
- **¿Se ha fijado la temperatura apropiada?**
Aumente la temperatura 25°F (15°C).
- **¿Se ha abierto la puerta del horno durante la cocción?**
Abrir el horno para mirar los alimentos disminuye el calor del horno y puede prolongar los tiempos de cocción.

El quemador del asador no se enciende

- **¿Está averiado el sistema de encendido?**
Póngase en contacto con un técnico autorizado para cambiarlo.
- **¿Hay un fusible de la casa fundido o se disparó el cortacircuitos?**
Reemplace el fusible o reposicione el cortacircuitos. Si el problema continúa, llame a un electricista.

AYUDA O SERVICIO TÉCNICO

Antes de solicitar ayuda o servicio técnico, por favor consulte la sección “Solución de Problemas.” Esto le podría ahorrar el costo de una visita de servicio técnico. Si considera que aún necesita ayuda, siga las instrucciones que aparecen a continuación.

Cuando llame, tenga a mano la fecha de compra y el número completo del modelo y de la serie de su electrodoméstico. Esta información nos ayudará a atender mejor a su pedido.

Si necesita piezas de repuesto

Si necesita pedir piezas de repuesto, recomendamos que use únicamente piezas especificadas de fábrica. Estas piezas encajarán bien y funcionarán bien ya que están confeccionadas con la misma precisión empleada en la fabricación de cada electrodoméstico nuevo.

Para encontrar piezas de repuesto en su localidad, llame a nuestro Centro para la eXperiencia del cliente o al centro de servicio designado su localidad.

En los EE.UU.

Llame al Centro para la eXperiencia del cliente sin costo alguno al: **1-800-253-1301**.

Nuestros consultores ofrecen asistencia con respecto a:

- Características y especificaciones de nuestra línea completa de electrodomésticos.
- Información sobre instalación.
- Procedimientos para el uso y mantenimiento.
- Venta de accesorios y piezas para reparación.
- Asistencia especializada para el consumidor (habla hispana, problemas de audición, visión limitada, etc.).
- Recomendaciones con distribuidores locales, compañías que dan servicio y distribuidores de partes para reparación. Los técnicos de servicio designados están entrenados para cumplir con la garantía del producto y ofrecer servicio una vez que la garantía termine, en cualquier lugar de los Estados Unidos.

Para localizar la compañía de servicio autorizada en su área, también puede consultar la sección amarilla de su guía telefónica.

Para obtener más asistencia

Si necesita asistencia adicional, puede escribir con sus preguntas o dudas a:

Customer eXperience Center
553 Benson Road
Benton Harbor, MI 49022-2692

Favor de incluir un número telefónico de día en su correspondencia.

GARANTÍA DE LOS ELECTRODOMÉSTICOS PRINCIPALES DE WHIRLPOOL CORPORATION

GARANTÍA LIMITADA

Durante un año a partir de la fecha de compra, siempre y cuando se dé a este electrodoméstico principal un uso y mantenimiento de conformidad con las instrucciones adjuntas o provistas con el producto, Whirlpool Corporation o Whirlpool Canada LP (en lo sucesivo denominado “Whirlpool”) se hará cargo del costo de las piezas especificadas de fábrica y del trabajo de reparación para corregir defectos en los materiales o en la mano de obra. El servicio deberá ser suministrado por una compañía de servicio designada por Whirlpool. Esta garantía limitada es válida solamente en Estados Unidos o en Canadá, y se aplica solamente cuando el electrodoméstico principal se use en el país en el que se ha comprado. Esta garantía limitada no tiene vigor fuera de los cincuenta Estados Unidos y Canadá. Se requiere una prueba de la fecha de compra original para obtener servicio bajo esta garantía limitada.

EXCLUSIONES DE LA GARANTÍA

Esta garantía limitada no cubre:

1. Visitas de servicio técnico para corregir la instalación de su electrodoméstico principal, para enseñarle a usar su electrodoméstico principal, para cambiar o reparar fusibles domésticos o para corregir la instalación eléctrica o de la tubería de la casa.
2. Visitas de servicio técnico para reparar o reemplazar focos para electrodomésticos, filtros de aire o filtros de agua. Las piezas de consumo están excluidas de la cobertura de la garantía.
3. Reparaciones cuando su electrodoméstico principal se use de un modo diferente al doméstico normal de una familia, o cuando se use de un modo contrario a las instrucciones publicadas para el usuario u operador y/o las instrucciones de instalación.
4. Daños causados por accidente, alteración, uso indebido, abuso, incendio, inundación, actos fortuitos, instalación incorrecta, instalación que no esté de acuerdo con los códigos eléctricos o de plomería, o el empleo de artículos de consumo o productos de limpieza no aprobados por Whirlpool.
5. Daños estéticos, incluyendo rayaduras, abolladuras, desportilladuras u otro daño al acabado de su electrodoméstico principal, a menos que el mismo sea debido a defectos en los materiales o la mano de obra y se le informe a Whirlpool en un lapso de 30 días a partir de la fecha de compra.
6. Cualquier pérdida de comida debido a fallas del refrigerador o del congelador.

7. Costos relativos a la remoción de su electrodoméstico principal desde su hogar para obtener reparaciones. Este electrodoméstico principal está diseñado para ser reparado en el hogar y únicamente el servicio de reparación en el hogar está cubierto bajo esta garantía.
8. Reparaciones de piezas o sistemas como resultado de modificaciones no autorizadas que se hayan efectuado en el electrodoméstico.
9. Gastos de viaje y transporte para obtener servicio para el producto, si su electrodoméstico principal está ubicado en un lugar remoto en el cual no haya disponible un técnico de servicio autorizado por Whirlpool.
10. La remoción y reinstalación de su electrodoméstico principal, si estuviera instalado en un lugar inaccesible o si no estuviera instalado de conformidad con las instrucciones de instalación publicadas.
11. Electrodomésticos principales con números de modelo/serie que se hayan removido, alterado o que no puedan ser identificados con facilidad. Esta garantía se anulará si el número de serie aplicado en la fábrica ha sido alterado o removido de su electrodoméstico principal.

El costo de la reparación o el reemplazo bajo estas circunstancias excluidas, correrá por cuenta del cliente.

EXCLUSIÓN DE GARANTÍAS IMPLÍCITAS; LIMITACIÓN DE RECURSOS

EL ÚNICO Y EXCLUSIVO RECURSO DEL CLIENTE SEGÚN LOS TÉRMINOS DE ESTA GARANTÍA LIMITADA SERÁ EL DE REPARAR EL PRODUCTO SEGÚN SE ESTIPULA EN LA PRESENTE. LAS GARANTÍAS IMPLÍCITAS, INCLUYENDO LAS GARANTÍAS DE COMERCIABILIDAD O DE CAPACIDAD PARA UN PROPÓSITO PARTICULAR, SERÁN LIMITADAS A UN AÑO O AL PERÍODO MÁS CORTO PERMITIDO POR LEY. WHIRLPOOL NO SE RESPONSABILIZARÁ POR DAÑOS INCIDENTALES O CONSECUENTES. ALGUNOS ESTADOS Y PROVINCIAS NO PERMITEN LAS EXCLUSIONES O LIMITACIONES POR DAÑOS INCIDENTALES O CONSECUENTES, O LIMITACIONES ACERCA DE CUÁNTO DEBE DURAR UNA GARANTÍA IMPLÍCITA DE COMERCIABILIDAD O CAPACIDAD, DE MODO QUE LAS LIMITACIONES O EXCLUSIONES ARRIBA MENCIONADAS PUEDEN NO APLICARSE EN SU CASO. ESTA GARANTÍA LE OTORGA DERECHOS LEGALES ESPECÍFICOS Y ES POSIBLE QUE USTED TENGA TAMBIÉN OTROS DERECHOS QUE PUEDEN VARIAR DE UN ESTADO A OTRO O DE UNA PROVINCIA A OTRA.

Si usted se encuentra fuera de los cincuenta Estados Unidos y Canadá, póngase en contacto con su distribuidor autorizado de Whirlpool para determinar si corresponde otra garantía.

Si necesita servicio, consulte primero la sección "Solución de problemas" del Manual de uso y cuidado. Después de consultar la sección "Solución de problemas", puede encontrar ayuda adicional en la sección "Ayuda o servicio técnico," o llamando a Whirlpool. En los EE.UU., llame al **1-800-253-1301**. En Canadá, llame al **1-800-807-6777**. 3/08

Guarde este libro y su comprobante de compra juntos para referencia futura. Usted deberá proporcionar el comprobante de la compra o una fecha de instalación para obtener servicio bajo la garantía.

Escriba la siguiente información acerca de su electrodoméstico principal para ayudarle mejor a obtener asistencia o servicio técnico si alguna vez llegara a necesitarlo. Deberá tener a mano el número completo del modelo y de la serie. Usted puede encontrar esta información en la etiqueta con el número de modelo y de serie ubicada en el producto.

Nombre del distribuidor _____
Dirección _____
Número de teléfono _____
Número de modelo _____
Número de serie _____
Fecha de compra _____